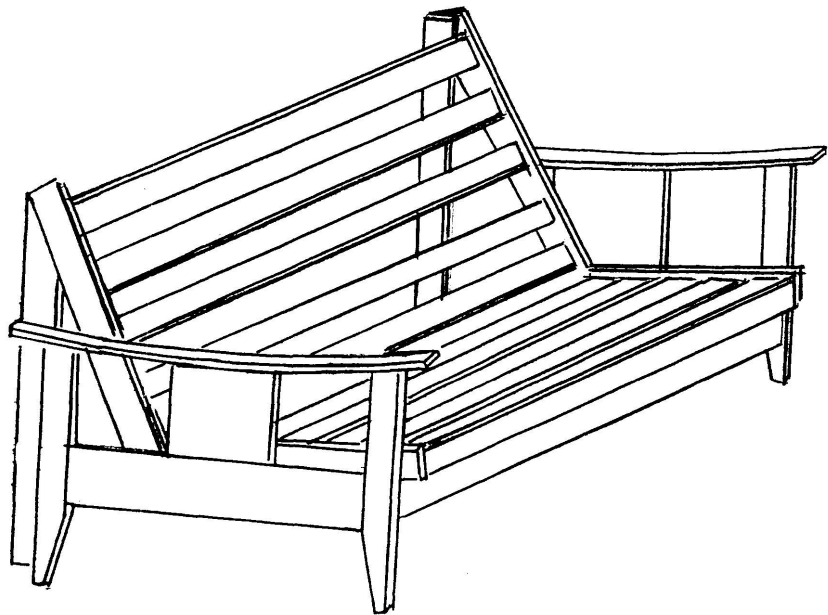




# Assembly Instructions for ATLANTA 2-SEATER FUTON



Design may vary but  
basic assembly is the same

### SAFETY WARNINGS

1. Before attempting to assemble or install this product read and follow the instructions in this leaflet and on any attached labels!!
2. **Routine Maintenance:**  
Periodically check that all fixtures and connectors are tight.  
Check components for signs of damage.
3. Do not stand hot products directly on the wood surface.
4. Mop up any spills immediately.
5. Surface of wood is not resistant to bleaches, acids, or other "aggressive" agent.
6. Never use substitute parts. Always contact the supplier for replacement parts:

**Kyoto Futons Ltd.**

Tel : 01778 380555 / Fax : 01778 380444

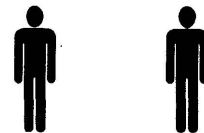
### Before Starting Assembly

We suggest you spend a short time reading through this leaflet, then follow the simple step by step instructions. Some parts are viewed differently from the exploded drawing shown; this is for extra clarity.

**To avoid scratching, we advice that assembly takes place on a protected surface.**

Do not discard any of the packaging, until you have checked all the parts of fittings.

There are small components used in the construction of this unit. These loose items should be kept away from young children whilst assembling your unit.

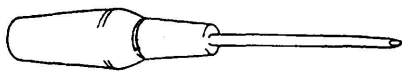


Use 2 people and assemble unit close to its final position.

Assembly time: 1 hour approx.

### TOOLS YOU NEED

CROSS HEAD SCREWDRIVER



Because we constantly try to improve the quality of the components, occasionally they do differ slightly from the diagrams shown here. Any spare components can be thrown away once the assembly is complete if they are not needed. We reserve the right to change the specification of any piece of furniture without prior notice.

### RECOMMENDED DOMESTIC USE

- Occasional
- Light
- General
- Heavy

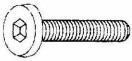
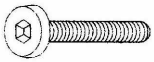





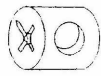
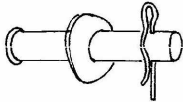

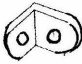

### CARE AND MAINTENANCE



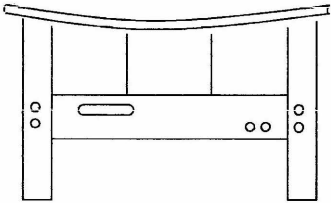
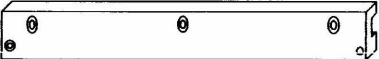
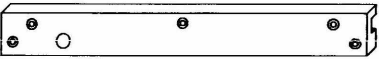
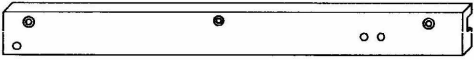
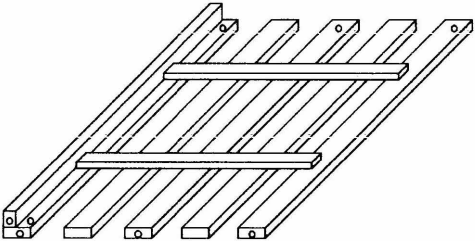
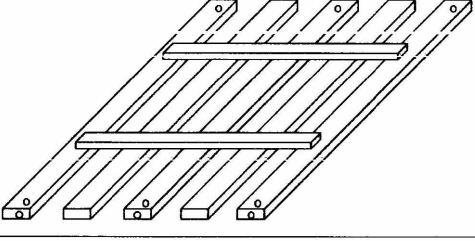
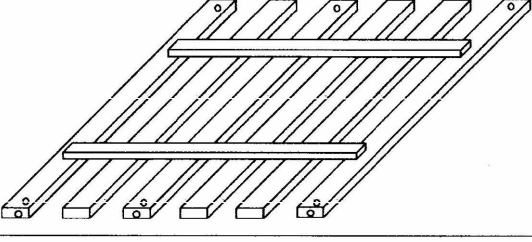
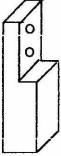
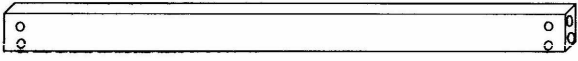
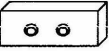
### GENERAL INFORMATION CARE & MAINTENANCE

Usually regular cleaning with a clean dry cloth is sufficient, but for stubborn marks wipe over gently with a clean damp cloth. Never use strong detergents or abrasive cleaners as these may damage the surface finish of your furniture. Your sales receipt is your guarantee, please keep it in a safe place. We hope you are pleased with your new product and that it provides you with years of satisfaction and use. Thank you for shopping with us.

## FITTINGS CHECKLIST

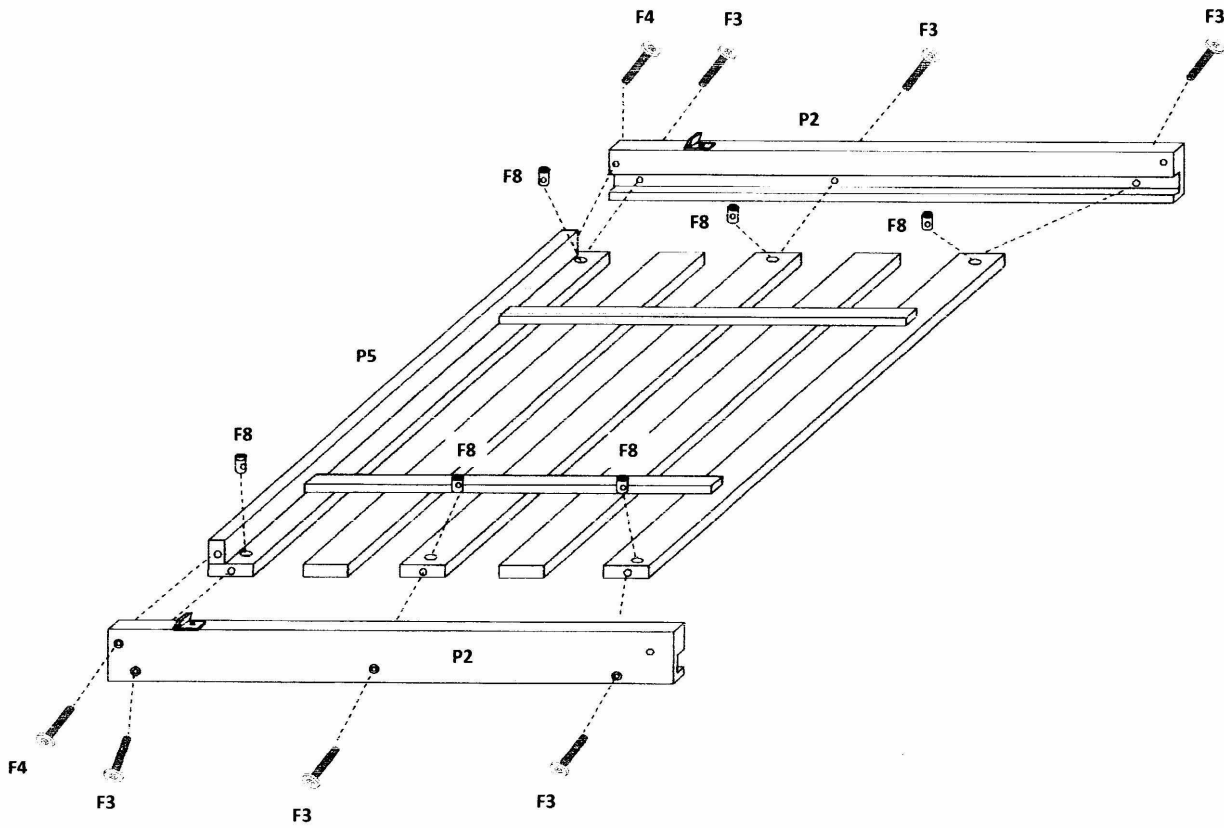
|   | CODE | DESCRIPTION          | QTY |
|---|------|----------------------|-----|
|    | F1   | BOLTS M6 x 35mm      | 2   |
|    | F2   | BOLTS M6 x 40mm      | 4   |
|    | F3   | BOLTS M6 x 50mm      | 18  |
|    | F4   | BOLTS M7 x 50mm      | 2   |
|    | F5   | BOLTS M6 x 60mm      | 8   |
|  | F6   | C/B SCREW 3.5 x 16mm | 4   |
|  | F7   | C/B SCREW M4 x 32mm  | 4   |
|  | F8   | BARREL NUT M6 X 13mm | 26  |
|  | F9   | CLEVIS PIN           | 4   |
|  | F10  | ROLLER               | 2   |
|  | F11  | L BRACKET            | 2   |
|  | F12  | M4 ALLEN KEY         | 1   |

### PARTS CHECKLIST

|   | Code | Qty | Description            |
|---|------|-----|------------------------|
|    | P1   | 2   | Arms                   |
|    | P2   | 2   | Front Deck Side Panel  |
|    | P3   | 2   | Middle Deck Side Panel |
|    | P4   | 2   | Rear Deck Side Panel   |
|   | P5   | 1   | Front Deck             |
|  | P6   | 1   | Middle Deck            |
|  | P7   | 1   | Rear Deck              |
|  | P8   | 2   | Leg                    |
|  | P9   | 2   | Stretcher Rails        |
|  | P10  | 2   | Frame Support          |

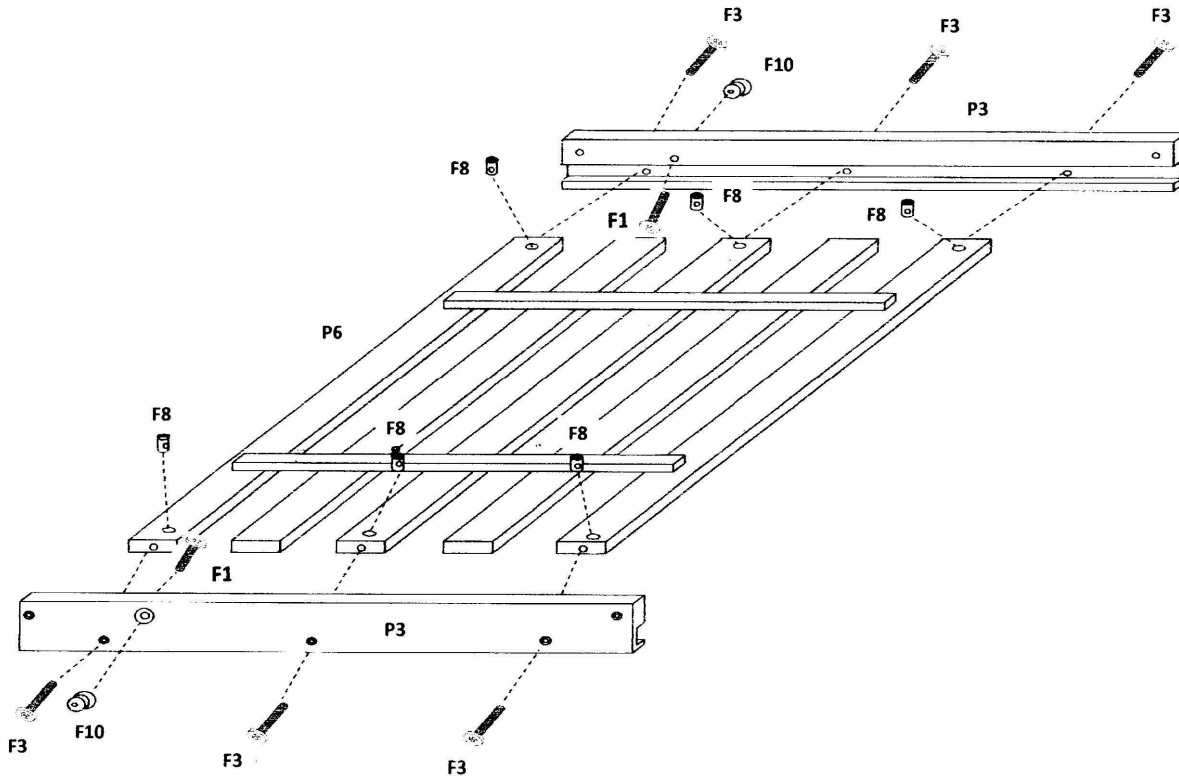
**Step 1**

Assemble Side Panel to Front Deck



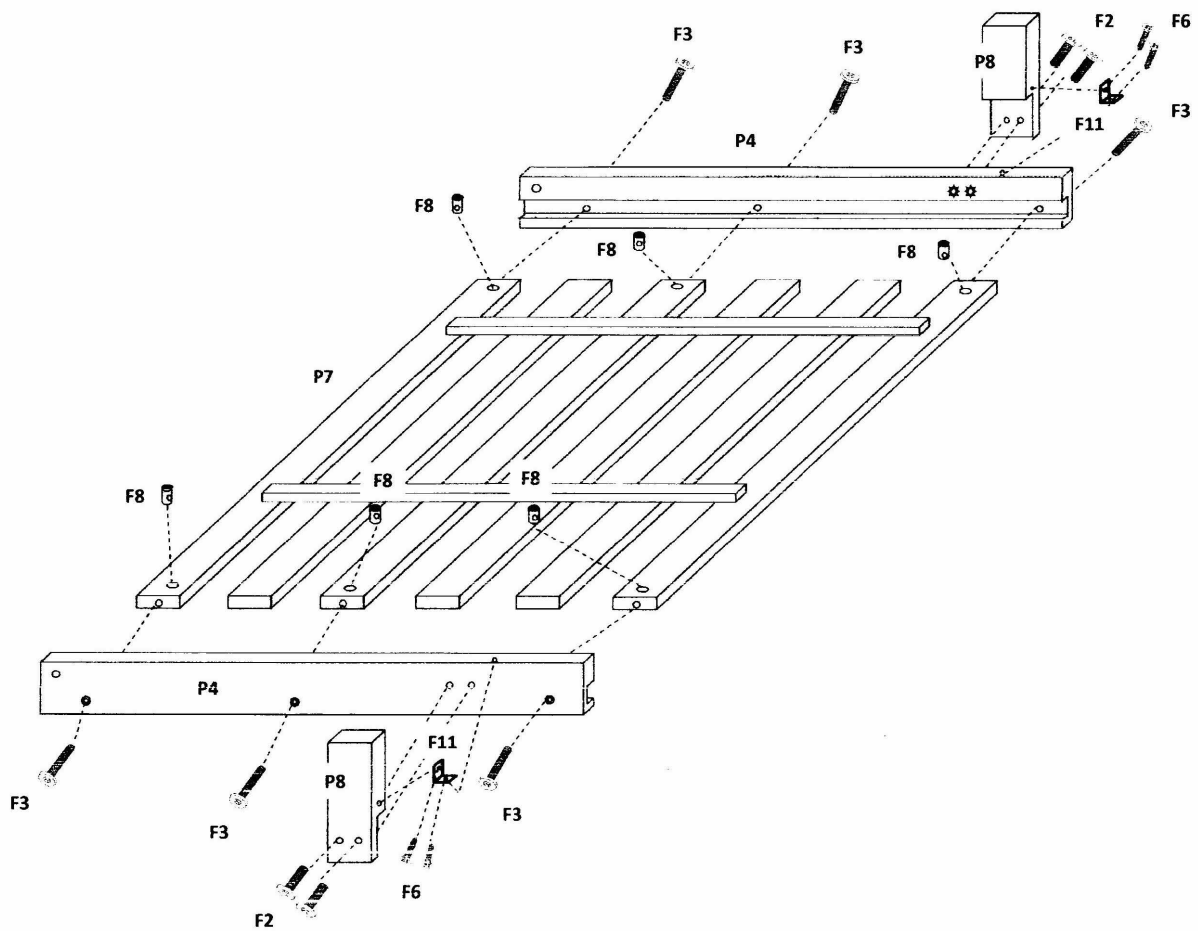
**Step 2**

Assemble Side Panel to Middle Deck and attach the roller to the side panel as shown.



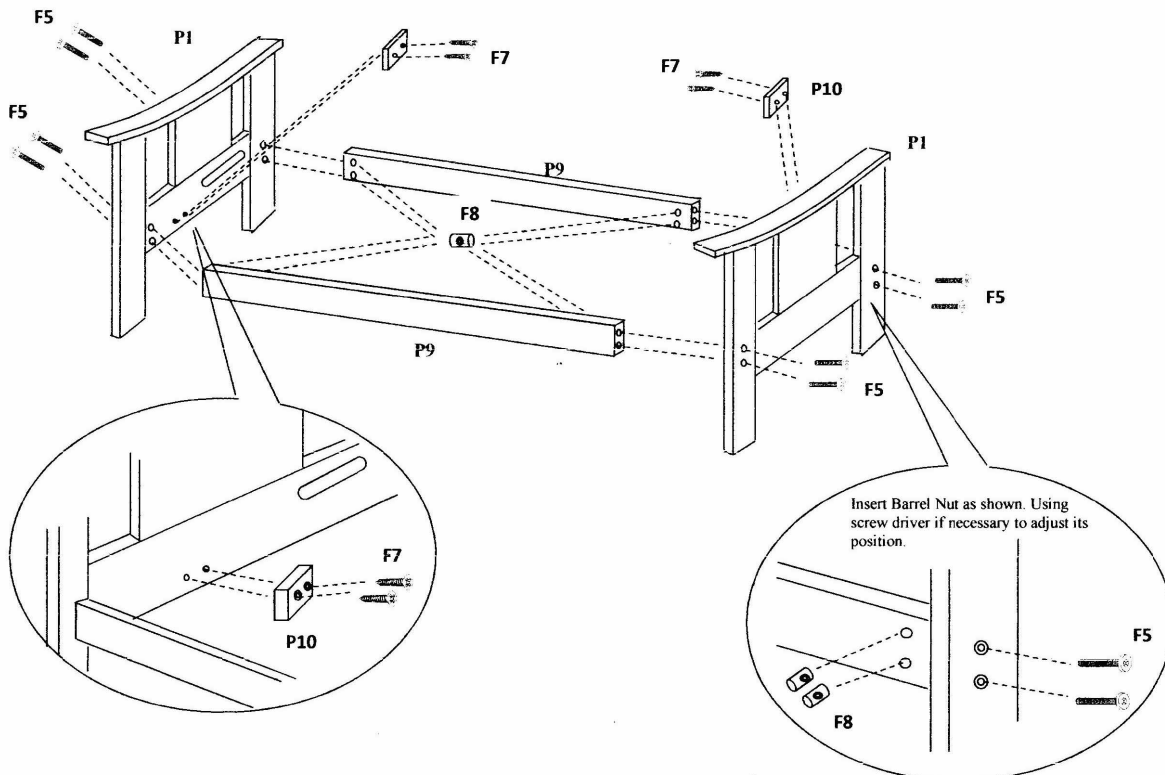
**Step 3**

Assemble Side Panel to Rear Deck.



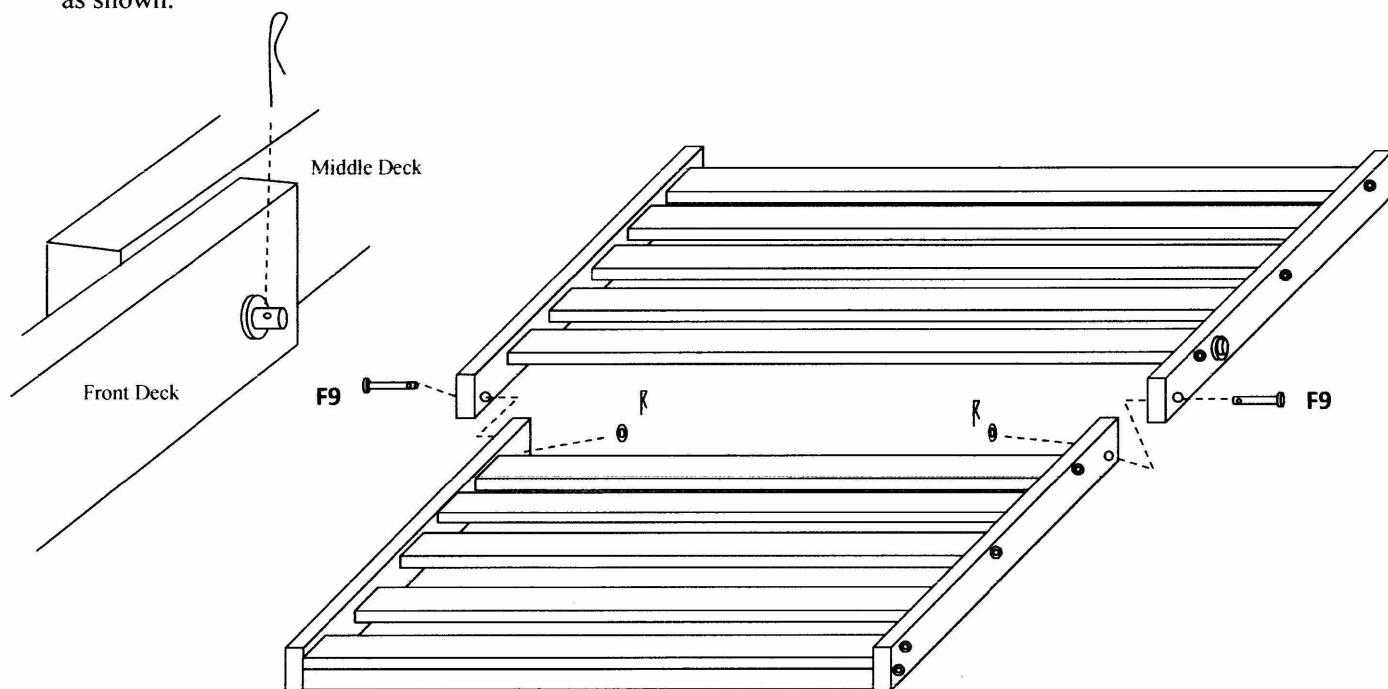
**Step 4**

Assemble stretcher rails to the Arm and screw the deck support as shown. Do not tighten the bolts yet.



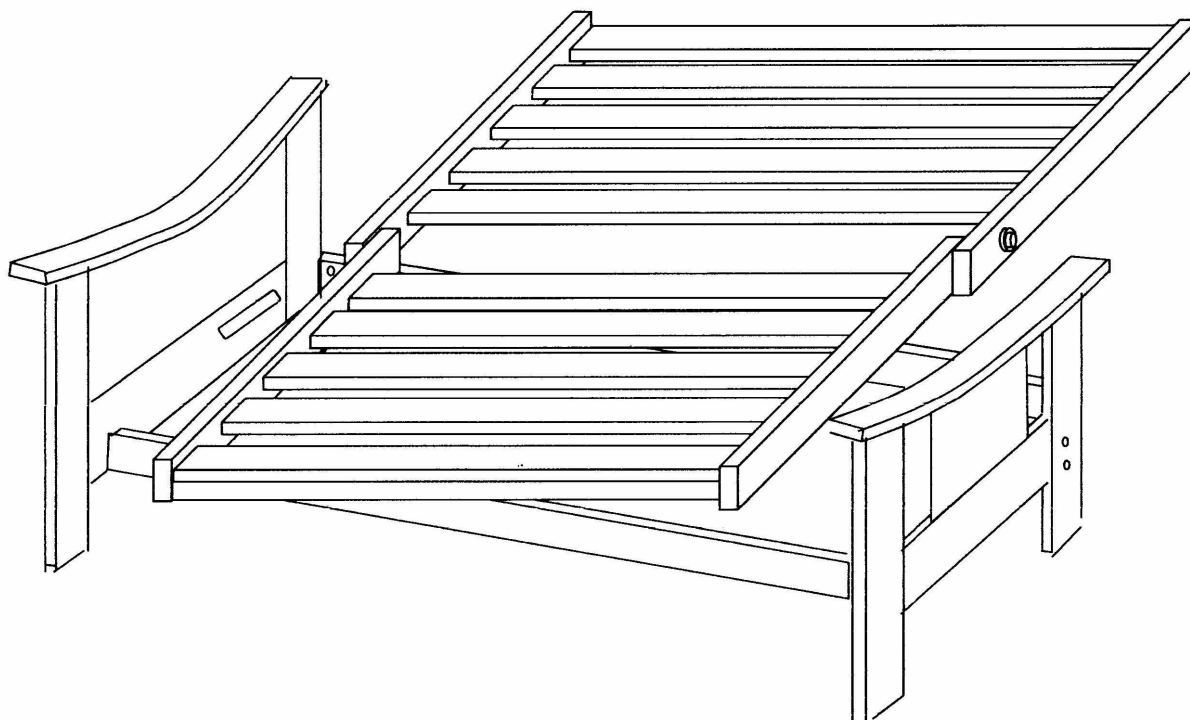
### Step 5

Joint the front deck with the middle deck with the clevis pin as shown below. Insert the clevis pin and spring clip as shown.



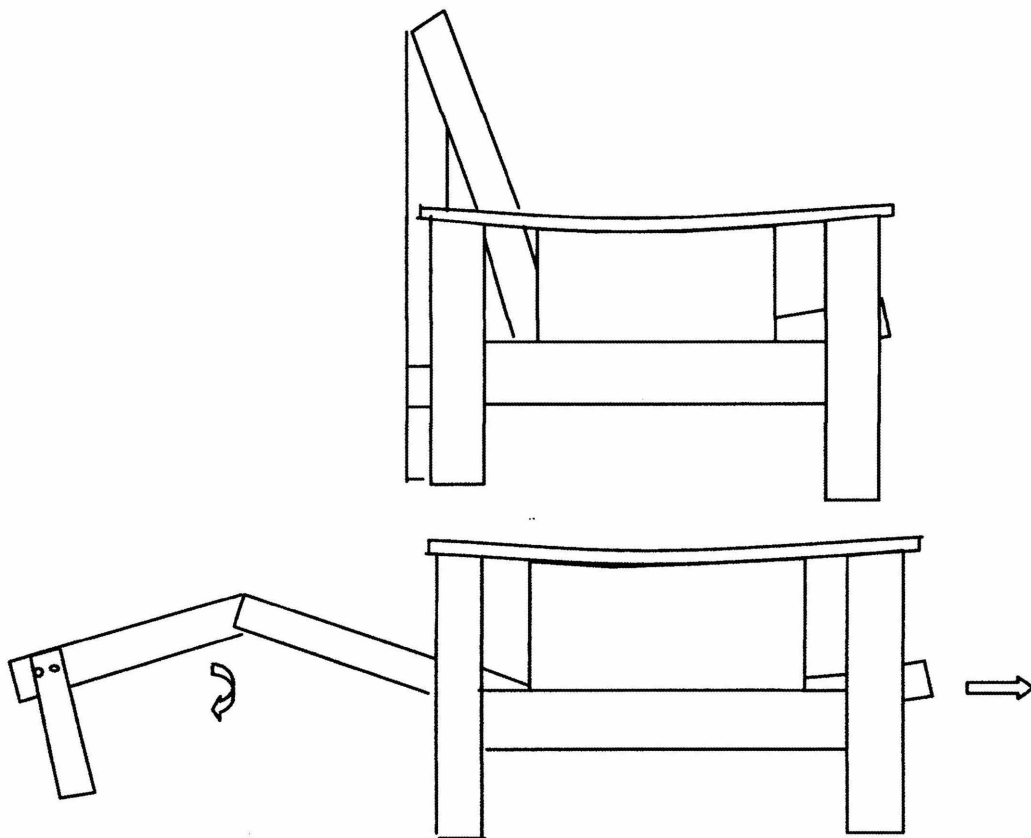
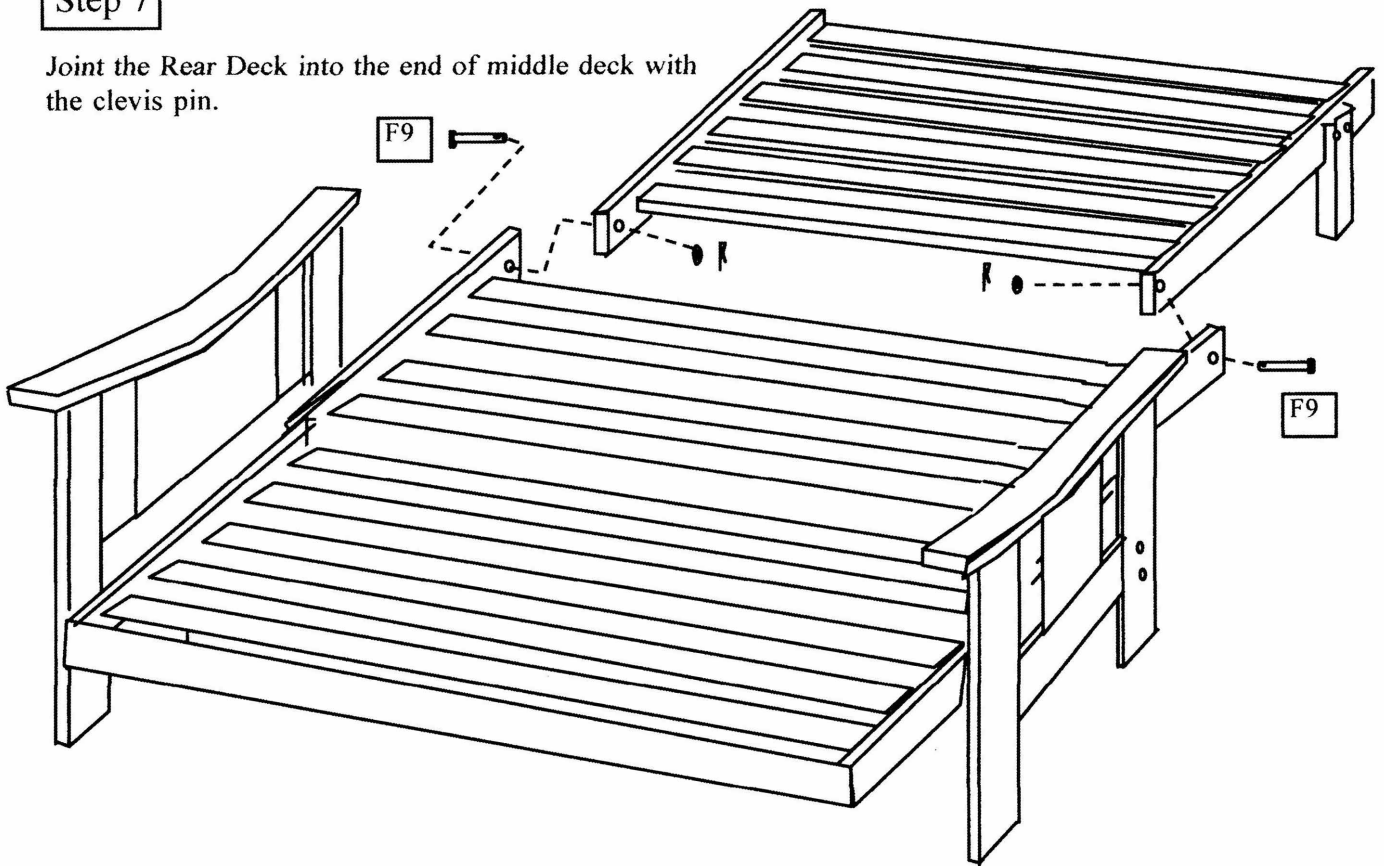
### Step 6

Insert the deck assembled in STEP 5 orientated flat. Insert one side with the roller slotted into the groove found in the Arm. Then, gently lower the other end. Once decks are in place, tighten all the bolts.



Step 7

Joint the Rear Deck into the end of middle deck with the clevis pin.



To convert into bed: Pull the rear deck gently down and then pull the front deck forward until it stops. To convert back to lounge position, push the front deck inward and then lift the middle deck upward and push the rear deck toward the back of the arm.